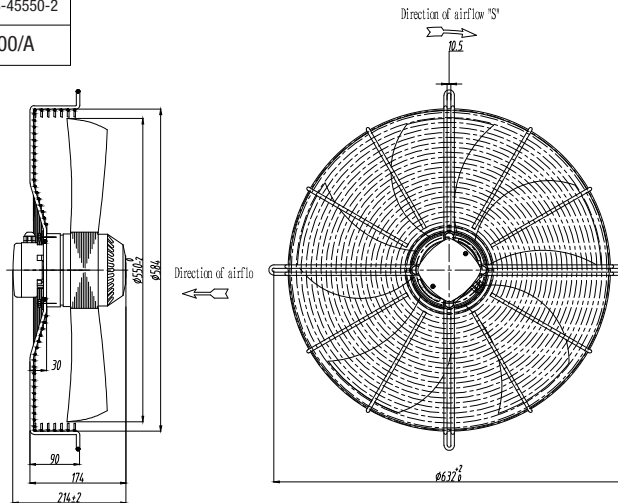
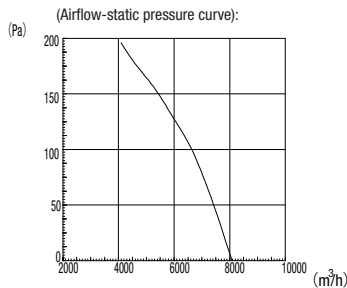


Serial NO.	FM3-45550-2
Drawing NO.	00/A

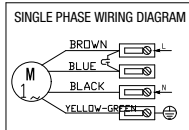


Label:

P/N:FM3-45550-2
4 Poles, 5 Blades, 550MM
1625RPM, 230V/1PH/60Hz



Wiring Diagram:



St. P.	Air Flow	Speed	Voltage	Freq.	Current	Power
Pa	m³/h	RPM	V	Hz	Amp	W
0	8084	1669	230	60	2.06	564
45	7511	1655	230	60	2.81	613
79	7009	1638	230	60	2.88	633
109	6511	1624	230	60	3.05	670
127	6001	1608	230	60	3.18	698
148	5505	1592	230	60	3.21	707
165	5009	1584	230	60	3.33	732
179	4509	1570	230	60	3.41	751
196	4093	1565	230	60	3.47	760

Model	Feature Code	Voltage	Frequency	Current	Power input	Speed	Capacitance	Air flow/max	Max static pressure	N.W.	Noise
		V	Hz	A	W	r/min	μF	m³/h	Pa	Kg	dB(A)
FM3-45550-2	S-E5L.3AAB.032	230	60	3.0	600	1625	15	8555	120	11	72

Axial Fan

Partname: FM3-45550-2 Axial Fan

Insulation class: F Protection Class: IP54 Type of Duty: S1

Permissible ambient temperature: -40 ~ +60°C

Approvals: XK06-015-01393

Nomenclature:

Model: YWF 4 E 550
 — Propeller Diameter
 — D: Three-Phase E: Single-Phase
 — Number of Motor Pole: 4 Pole
 — External Rotor Fan Motor

Feature Code: S E 5 L
 — Blade Shape: L Sickle-Shaped
 — Quantity of Blade: 5
 — Installation Form: Standard grid
 — Airflow direction: B: Blowing S: Sucking

High -Voltage test according to EN 60335-1 2100V

Material/Surface Finishing: Blade-spec steel sheet/Black powder coating
 Rotor-Silicon sheet Lamination with aluminum casting/ Black powder coating
 Guard grill- cold drawn steel wire/Black powder coating

Balance Grade: G6.3 (Propeller is dynamic balanced at two sides)

	Sign	Date	 Specification L550S-4E2.E-01
DRN BY		2019.07.26	
CHK BY		2019.07.26	
APVD BY		2019.07.26	