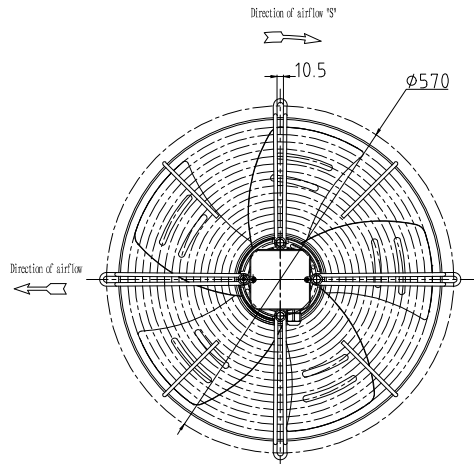
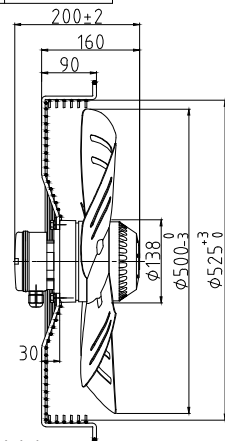
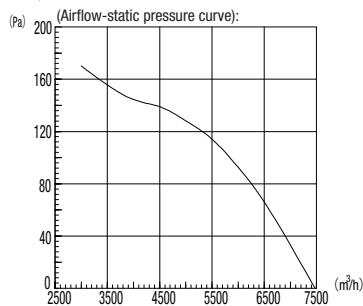


Serial NO.	FM3-45500-2
Drawing NO.	01/A

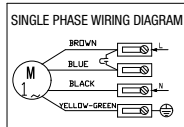


Label:

P/N:FM3-45500-2
4 Poles, 5 Blades, 500MM
1625RPM, 230V/1PH/60Hz



Wiring Diagram:



St. P.	Air Flow	Speed	Voltage	Freq.	Current	Power
Pa	m³/h	RPM	V	Hz	Amp	W
0	7471	1645	230	60	2.62	591
33	7003	1633	230	60	2.72	616
68	6502	1607	230	60	2.8	638
93	6001	1582	230	60	2.89	663
116	5500	1559	230	60	2.93	674
128	5002	1544	230	60	2.98	689
141	4501	1513	230	60	3.01	696
142	4003	1488	230	60	3.03	701
155	3502	1481	230	60	3.04	697
170	3002	1477	230	60	3.07	710

Model	Feature Code	Voltage	Frequency	Current	Power input	Speed	Capacitance	Air flow/max	Max static pressure	N.W.	Noise
		V	Hz	A	W	r/min	µF	m³/h	Pa	Kg	dB(A)
FM3-45500-2	S-E5L.3AAB.032	230	60	2.05	435	1625	10	6770	100	9.8	72

Axial Fan

Partname: FM3-45500-2 Axial Fan

Insulation class: B Protection Class: IP54 Type of Duty: S1

Permissible ambient temperature: -40 ~ +60°C

Approvals: XK06-015-01393

Nomenclature:

Model: YWF 4 E 500
 — Propeller Diameter
 D: Three-Phase E: Single-Phase
 — Number of Motor Pole: 4 Pole
 — External Rotor Fan Motor

Feature Code: S E 5 L
 — Blade Shape: L Sickle-Shaped
 — Quantity of Blade: 5
 — Installation Form: Standard grid
 — Airflow direction: B: Blowing S: Sucking

High -Voltage test according to EN 60335-1 2100V

Material/Surface Finishing: Blade-spec steel sheet/Black powder coating
 Rotor-Silicon sheet Lamination with aluminum casting/ Black powder coating
 Guard grill- cold drawn steel wire/Black powder coating

Balance Grade: G6.3 (Propeller is dynamic balanced at two sides)

	Sign	Date	
DRN BY		2019.07.26	
CHK BY		2019.07.26	
APVD BY		2019.07.26	

Specification

L500S-4E2.E-01