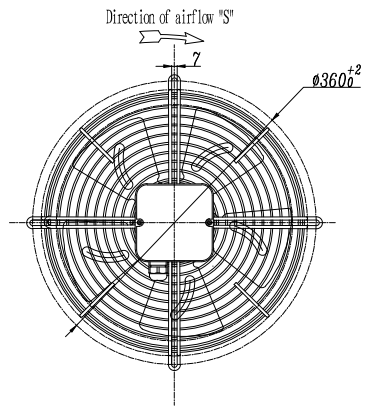
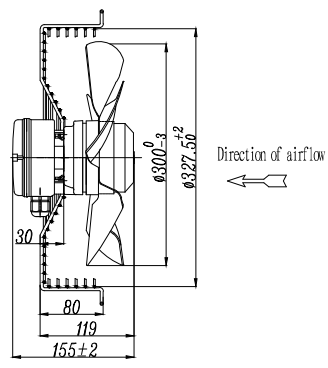
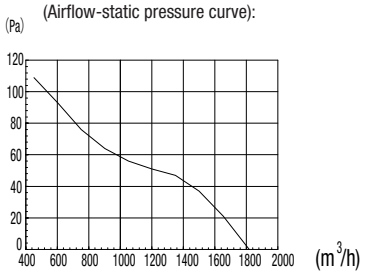
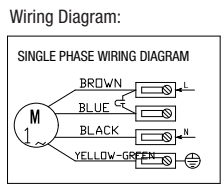


Serial NO.	FM3-45300-2
Drawing NO.	01/A



Label:
P/N:FM3-45300-2
 4 Poles ,5 Blades,300MM
 1625RPM,230V/1PH/60Hz



St. P.	Air Flow	Speed	Voltage	Freq.	Current	Power
Pa	m³/h	RPM	V	Hz	Amp	W
0	1819	1674	230	60	0.39	91
21	1654	1647	230	60	0.42	96
37	1500	1620	230	60	0.44	101
47	1350	1606	230	60	0.45	103
51	1200	1595	230	60	0.45	105
56	1053	1599	230	60	0.45	104
64	903	1600	230	60	0.45	105
76	752	1566	230	60	0.47	109
93	602	1500	230	60	0.51	117
109	452	1447	230	60	0.53	121

Axial Fan

Partname: FM3-45300-2 Axial Fan

Insulation class: B Protection Class: IP54 Type of Duty: S1

Permissible ambient temperature: -40 ~ +60°C

Approvals: XK06-015-01393

Nomenclature:

Model: YWF 4 E 300
 Propeller Diameter
 D: Three-Phase E: Single-Phase
 Number of Motor Pole: 4 Pole
 External Rotor Fan Motor

Feature Code: S E 5 Z
 Blade Shape: Z Siamesed-Shaped
 Quantity of Blade: 5
 Installation Form: Standard grid
 Airflow direction: B: Blowing S: Sucking

High -Voltage test according to EN 60335-1 2100V

Material/Surface Finishing: Blade-spec steel sheet/Black powder coating
 Rotor-Silicon sheet Lamination with aluminum casting/ Black powder coating
 Guard grill- cold drawn steel wire/Black powder coating

Balance Grade: G6.3 (Propeller is dynamic balanced at two sides)

Model	Feature Code	Voltage	Frequency	Current	Power input	Speed	Capacitance	Air flow/max	Max static pressure	N.W.	Noise
		V	Hz	A	W	r/min	µF	m³/h	Pa	Kg	dB(A)
FM3-45300-2	S-E5L3AAB.032	230	60	0.52	110	1625	2	1525	80	3.2	62

	Sign	Date	 Specification L300S-4E2.E-01
DRN BY		2019.04.11	
CHK BY		2019.04.11	
APVD BY		2019.04.11	