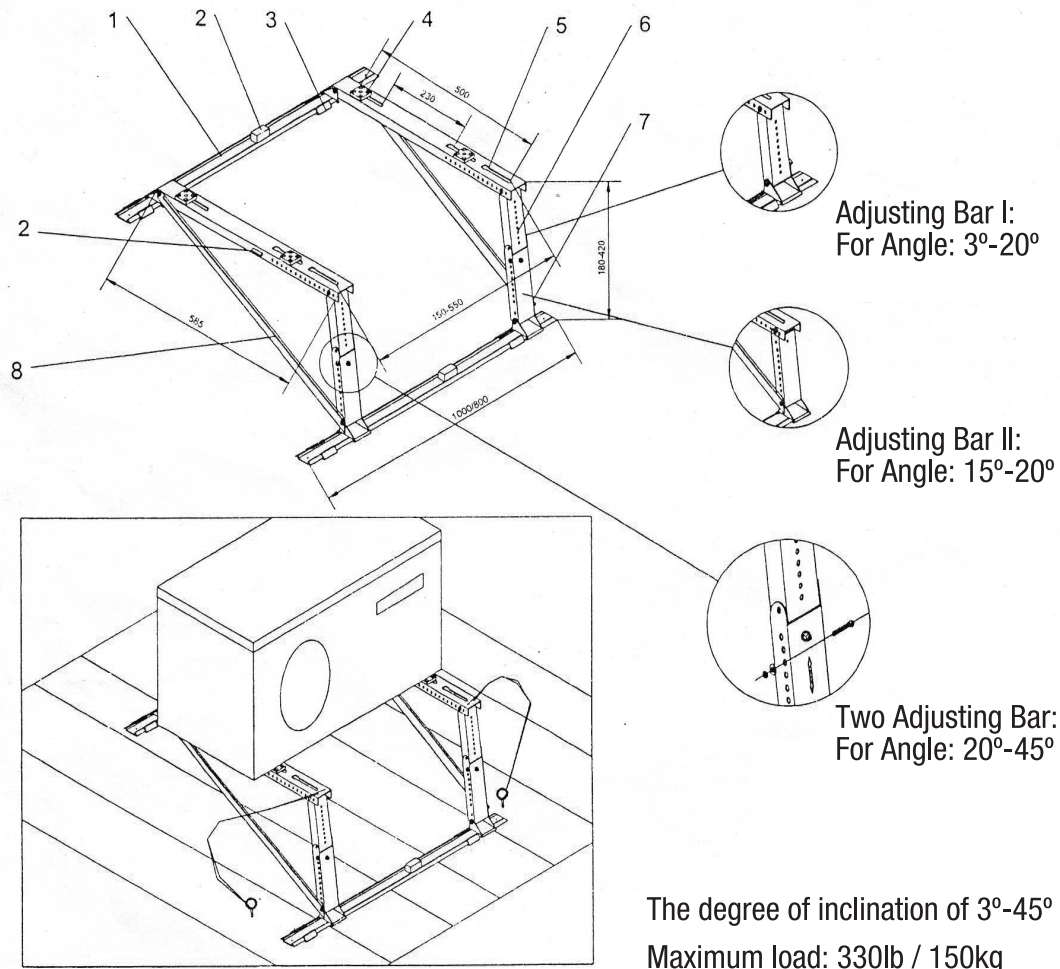




# Roof Bracket | EWG-01C Assembly Instructions Sheet

For more information please visit:  
[www.everwellparts.com](http://www.everwellparts.com) [info@everwellparts.com](mailto:info@everwellparts.com)



The degree of inclination of 3°-45°  
 Maximum load: 330lb / 150kg

NO	DESCRIPTION	QTY
1	Fixed Support	2
2	Level Liquid	4
3	Antislip Rubber	4
4	Anti Vibration Pad	4
5	Air Conditioner Brackets	2
6	Adjusting Bar I	2
7	Adjusting Bar II	2
8	Bar	2

## Assembly Procedure

Set the brackets and fixed supports on the house roof  
 Fix the fixed supports on the house roof  
 Adjust the length of adjusting bar as to keep the brackets on the horizontal level  
 Install the air conditioner on the bracket and then fasten it