



EPCW-4WLI

Pressure Cleaner with Water Tank

Operation Manual



www.everwellparts.com

Miami - Florida

1. INTRODUCTION

Thank you for purchasing our EPCW-4WLI coil cleaning machines. This user manual is meant to offer you a brief walkthrough of the device's features and usage protocols. We hope you find this manual helpful. For additional information and technical support, please feel encouraged to contact your local distributor

2. INTENDED USAGE

The EPCW-4WLI coil cleaning machines is a complete and independent cleaning solution in one small portable unit powered by a 18V Li-ion power supply.

They are professional machines which intended for HVAC coil cleaning with efficient but safety for coils. They are also can be used for vehicle cleaning, household cleaning and so on.

3. BOX CONTENTS



Pressure cleaner



220° rotational nozzle



0° pinpoint nozzle



Auto-Stop Spray gun



37cm (14 5/8") extension wand

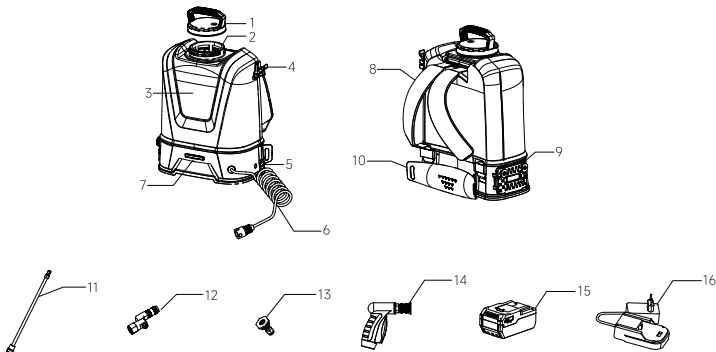


Battery charger



18V battery

4. PARTS



1. Tank Cover	9. Storage Cover
2. Filter	10. Lumbar Support
3. Water Tank	11. Extension Wandv 37cm (14.5")
4. Storage Hook	12. 220° Rotational Nozzle
5. Power Switch	13. 0° Pinpoint Nozzle
6. Outlet Hoise 5m (16.4')	14. Spray Gun
7. Led Light	15. 18V-Lion Battery
8. Back Strap	16. Battery Charger

5. TECHNICAL SPECIFICATIONS

Voltage	18V
Working Pressure	5/10 Bar
Flowrate	4L/min
Water Tank	16L

6. SAFETY INFORMATION

The information contained in this section is provided for your own safety and the safety of others. Please be sure to read this manual carefully and use the appliance in accordance with these instructions. Keep the manual in a safe place for future reference.



CAUTION

Do not operate this machine without eye protection.

- Do not use any liquid other than clean water.
- Use water of temperature between 0°C (32°F) and 50°C (122°F) only.
- Do not leave appliance plugged in or battery in when not in use.
- This is not a toy. Exercise extra care when using near children.
- Do not spray water directly at eyes or mouth.
- Do not direct water jet at unit itself or other electrical equipment.
- Use only manufacturer's recommended accessories and parts.
- Always use plug/amp fuse recommended for this appliance.
- Do not use with damaged battery, cord or plug.
- Do not use if damaged or dropped into water.
- Keep cord away from heated surfaces, and do not pull or carry by cord.
- Keep nozzle free of obstructing objects. Do not use with clogged nozzle.
- Keep hair, loose clothing and all parts of body away from moving machine parts.
- Do not use appliance without a water filter in place.
- Turn off all controls before unplugging.
- To avoid damage and injury, use proper voltage only.
- Do not alter nozzle head's original diameter.
- Discharge residual pressure and water before disconnecting hose.
- Check for broken or worn parts before each use.
- Never submerge appliance in water.
- Do not allow unit to freeze. Always empty tank and inside water and store unit indoors.
- Do not remove cover plate or attempt to disassemble appliance.
- Replace damaged hose immediately. Otherwise, hose may burst and potentially cause serious injury.

7. OPERATION STEPS



EXTENSION WAND USAGE



LION BATTERY'S CHARGE



Note: Check the battery level before each usage.
The led indicator light will be flashed when in low level

AIR PURGING:

With normal use, air can get trapped in the washer's hose. We recommend the following steps to purge the air out of the system and achieve maximum washing pressure:

1. Power up your cleaning machine.
2. Point the spray gun into the water tank and squeeze the lever until the water stream steadies.
3. Start to enjoy your cleaning works

8. TROUBLESHOOTING

PROBLEM	PROBABLE CAUSE	SOLUTION
Pump Can't Start	Li-ion battery power not enough	Check battery and charge in time
	AC voltage is not correct	Make sure the input voltage within rated voltage $\pm 5\%$
	Temperature is too low (< 0°C (32°F))	Increase ambient temperature
Inconsistent and/or erratic pressure	Nozzle worn	Replace nozzle
	Nozzle Clogged	Clean nozzle orifice
	Water is low	Add water
	Air sucked into system	Fill water
	Air in pump (not properly primed)	Remove nozzle, prime pump
	Vacuum lock (cap vent clogged)	Clean cap air vent
	Water temp too high	Add cold water to reduce temperature
	Low battery	Charge or replace battery
Motor continues to run even though trigger is released	High pressure system or pump hydraulic circuit not watertight	Check for leaks at spray gun and pump
	Air in system	Re-prime the unit
	Tank empty	Fill tank
Motor stops abruptly	Low battery power	Charge or replace battery
	Power switch off	Turn switch on
	Thermal breaker tripped	Turn off, let unit cool
Motor buzzes but fails to start or does not start at all	Problems with pump auto shut-off	Contact the seller
	Unit in disuse for extended time	Contact the seller
	Pressure needs to be relieved	Squeeze trigger and relieve pressure
No water flow/ water not priming	The water inlet is blocked	Clean inlet filter
	There are impurities inside	Remove the internal impurities